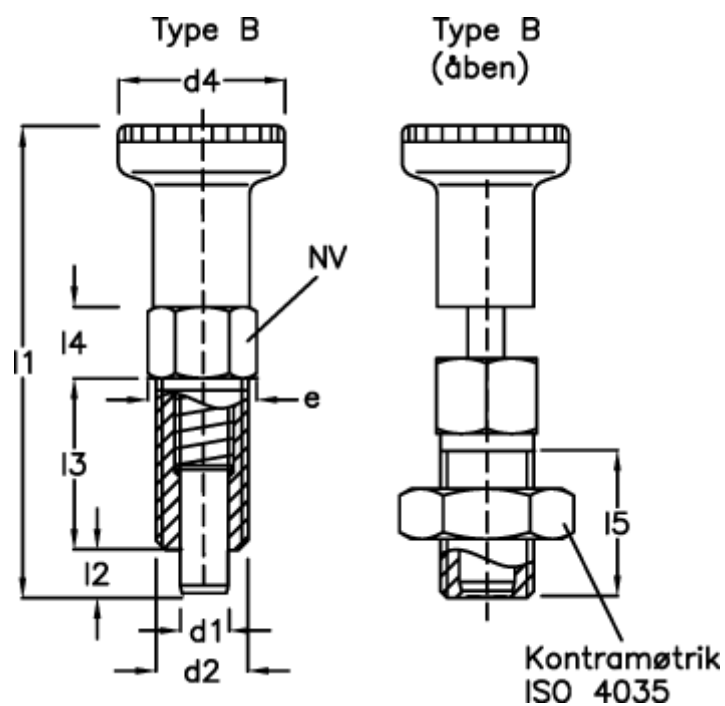


Article number: 20187014

Description: E+G

Indexing plunger GN 717-5-M8-B-ST

Measures



d1 = 5	l5	= 13.5
d2 = M8	NV	= 8
d4 = 16	Spring pressure N bottom	= 24
e = 9.2	Spring pressure N top	= 5
l1 = 40.0		
l2 = 5		
l3 = 16		
l4 = 6.0		